



Square flanged bearing supports

Serie **UCF/C**
Serie **MUCF/C**



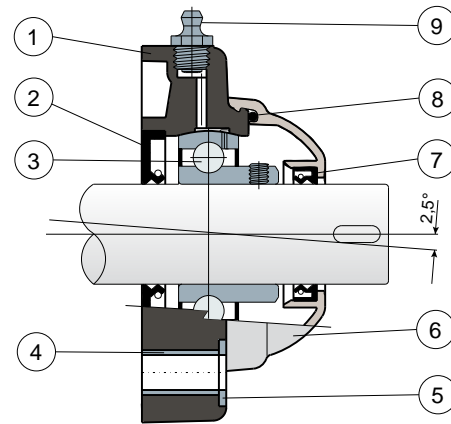
- On request covers in polypropylene blue Ral 5015 colour.
- On request covers in polypropylene orange Ral 2004 colour.
- On request covers in polypropylene red Ral 3000 colour.

Self-aligning bearings with Solid body: completely closed surface to guarantee the max hygiene.

Long Life bearings: life long lubrication.

NEW

Full protection of bearing



- 1) Housing made out of black or white colour polyamide reinforced with glass fibers.
- 2) Back gasket made out of NBR rubber for turning shaft seal.
- 3) Chrome steel or stainless steel bearing AISI 440.
- 4) Spacer for fixing reinforcement made out of stainless steel AISI 304.
- 5) UNI 6592 support washer made out of stainless steel AISI 304.
- 6) Protection cover made out of polypropylene (grey colour Ral 7042).
- 7) Front gasket made out of NBR rubber for turning shaft seal.
- 8) OR gasket made out of NBR rubber.
- 9) Greaser, straight type with 1/8 gas thread, made out of nickel-plated brass (absent in the versions with Long Life bearing).

N.B.: In the Long Life version, the greaser is absent and the lubrication channel is protected by a rubber cap.

Support dimensions respect ISO 3228 set of rules
Maximum shaft alignment error 2,5°
For further information please contact our technical office or sales department.

MATERIALS: Housing is made out of PA + glass fiber in black or white colours; chrome steel or stainless steel bearing; greaser made out of nickel plated brass; reinforcement bushings and washers made out of stainless steel AISI 304; gaskets made out of NBR rubber; cover made out of grey RAL 7042 colour polypropylene.
FEATURES: Full protection of bearing against external agents. Assembly with not shouldered shafts. Maximum shaft alignment error 2.5°.

BOX QUANTITY: 8 pieces.

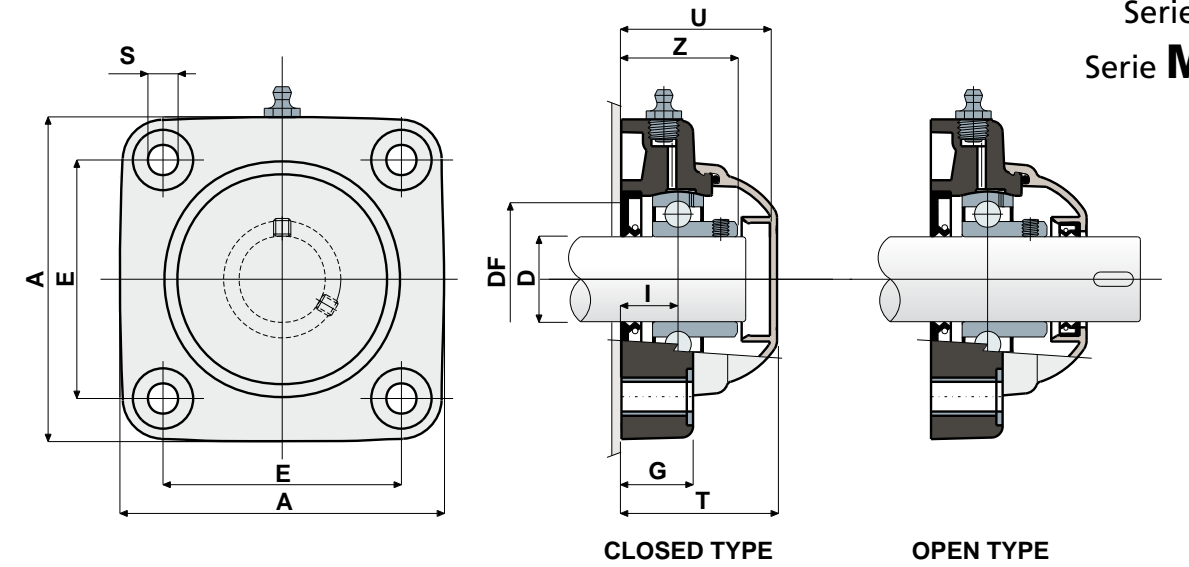
ON REQUEST: Versions with body in polypropylene + glass fiber and antibacterial additive; supports with eccentric collar shaft locking with chrome steel bearing; protection covers in different colours and with customized brand; box quantity according to your request; Viton gaskets.

Square flanged bearing supports

Technical data



Serie **UCF/C**
Serie **MUCF/C**



		CODES								DIMENSIONS (mm)								Bearing load (N)		Bearing support load		
D	SERIE	Standard bearing				Long Life bearing				E	A	S	G	I	Z	U	T	DF		C	CO	(N)
		Black		White		Black		White										Max	Min			
		Closed	Open	Closed	Open	Closed	Open	Closed	Open													
20	UCF 204 C	80248	80249	84580	84581	82405	87055	89345	89346	63,5	90	10,5	19	15,5	33,5	44	46,5	45	40	12800	6600	16500
25	UCF 205 C	80057	80060	84582	84583	80304	83613	89347	89348	70	99,5	10,5	22	17,4	37	47	49,5	50	45	14000	7800	17000
30	UCF 206 C	80009	80005	84584	84585	80724	83611	89349	89350	83	113	10,5	26	20,7	41	52,5	55	60	50	19500	11300	17500
30	MUCF 206 C	84038	84039	84586	84587	87114	87115	89351	89352	83	113	10,5	26	20,7	41	65	68	60	50	19500	11300	17500
35	UCF 207 C	80058	80061	84588	84589	82991	82993	89353	89354	92	122	10,5	26	20	45	57	59	70	55	25500	15300	18000
35	MUCF 207 C	82549	82392	84590	84591	87116	87117	89355	89356	83	113	10,5	26	20	45	65	68	70	55	25500	15300	18000
40	UCF 208 C	80250	80251	84592	84593	87458	87457	89357	89358	102	133	10,5	26	19,5	48,5	65	68	78	65	32500	19800	18000
40	MUCF 208 C	80697	80699	84594	84595	87572	87573	89359	89360	83	113	10,5	26	19,5	48,5	65	68	78	65	32500	19800	18000

		CODES								DIMENSIONS (mm)								Bearing load (N)		Bearing support load		
D	SERIE	Standard bearing				Long Life bearing				E	A	S	G	I	Z	U	T	DF		C	CO	(N)
		Black		White		Black		White										Max	Min			
		Closed	Open	Closed	Open	Closed	Open	Closed	Open													
20	UCF 204 C	80400	80448	84596	84597	86796	89361	89369	89370	63,5	90	10,5	19	15,5	33,5	44	46,5	45	40	8300	6600	16500
25	UCF 205 C	80445	80449	84598	84599	89362	86097	89371	89372	70	99,5	10,5	22	17,4	37	47	49,5	50	45	9150	7800	17000
30	UCF 206 C	80378	80377	84600	84601	85524	85523	89373	89374	83	113	10,5	26	20,7	41	52,5	55	60	50	12500	11200	17500
30	MUCF 206 C	84040	84041	84602	84603	89363	89364	89375	89376	83	113	10,5	26	20,7	41	65	68	60	50	12500	11200	17500
35	UCF 207 C	80446	80450	84604	84605	85529	85530	89377	89378	92	122	10,5	26	20	45	57	59	70	55	16600	15300	18000
35	MUCF 207 C	83467	83466	84606	84607	89365	89366	89379	89380	83	113	10,5	26	20	45	65	68	70	55	16600	15300	18000
40	UCF 208 C	80447	80451	84608	84609	86100	86102	89381	89382	102	133	10,5	26	19,5	48,5	65	68	78	65	20000	19000	18000
40	MUCF 208 C	81057	81058	84610	84611	89367	89368	89383	89384	83	113	10,5	26	19,5	48,5	65	68	78	65	20000	19000	18000

VERSIONS WITH MEASURES IN INCHES

		CODES								DIMENSIONS (mm)								Bearing load (N)		Bearing support load		
D	SERIE	Standard bearing				Long Life bearing				E	A	S	G	I	Z	U	T	DF		C	CO	(N)
		Black		White		Black		White										Max	Min			
		Closed	Open	Closed	Open	Closed	Open	Closed	Open													
1"	UCF 205 C	84500	84490	84875	84876	89385	89386	89391	89392	70	99,5	10,5	22	17,4	37	47	49,5	50	45	14000	7800	17000
1 1/4"	UCF 206 C	84501	84491	84877	84878	89387	89388	89393	89394	83	113	10,5	26	20,7	41	52,5	55	60	50	19500	11300	17500
1 1/4"	MUCF 206 C	84502	84492	85180	85181	89389	89390	89395	89396	83	113	10,5	26	20,7	41	65	68	60	50	19500	11300	17500

Inch dimensions conform to the British Imperial system