



# Oval flanged bearing supports

Serie **UCFL/C**  
Serie **MUCFL/C**

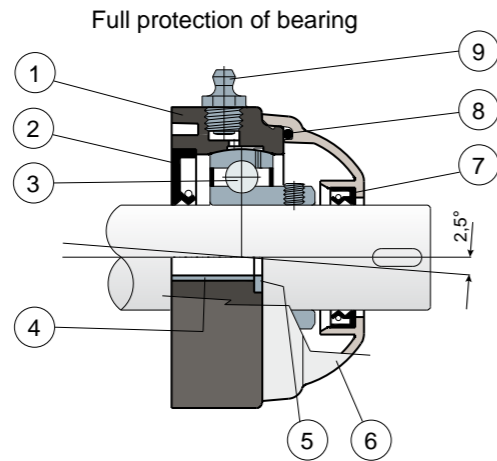


- On request covers in polypropylene blue Ral 5015 colour.
- On request covers in polypropylene orange Ral 2004 colour.
- On request covers in polypropylene red Ral 3000 colour.

Self-aligning bearings with Solid body: completely closed surface to guarantee the max hygiene.

Long Life bearings: life long lubrication.

**NEW**



- 1) Housing made out of black or white colour polyamide reinforced with glass fibers.
- 2) Back gasket made out of NBR rubber for turning shaft seal.
- 3) Chrome steel or stainless steel bearing AISI 440.
- 4) Spacer for fixing reinforcement made out of stainless steel AISI 304.
- 5) UNI 6592 support washer made out of stainless steel AISI 304.
- 6) Protection cover made out of polypropylene (grey colour Ral 7042).
- 7) Front gasket made out of NBR rubber for turning shaft seal.
- 8) OR gasket made out of NBR rubber
- 9) Greaser, straight type with 1/8 gas thread, made out of nickel-plated brass (absent in the versions with Long Life bearing).

N.B.: In the Long Life version, the greaser is absent and the lubrication channel is protected by a rubber cap.

Support dimensions respect ISO 3228 set of rules.  
Maximum shaft alignment error 2,5°  
For further information please contact our technical office or sales department.

**MATERIALS:** Housing is made out of PA + glass fiber in black or white colours; chrome steel or stainless steel bearing; greaser made out of nickel plated brass; reinforcement bushings and washers made out of stainless steel AISI 304; gaskets made out of NBR rubber; cover made out of grey RAL 7042 colour polypropylene.  
**FEATURES:** Full protection of bearing against external agents. Assembly with not shouldered shafts. Maximum shaft alignment error 2.5°.

**BOX QUANTITY:** 8 pieces.

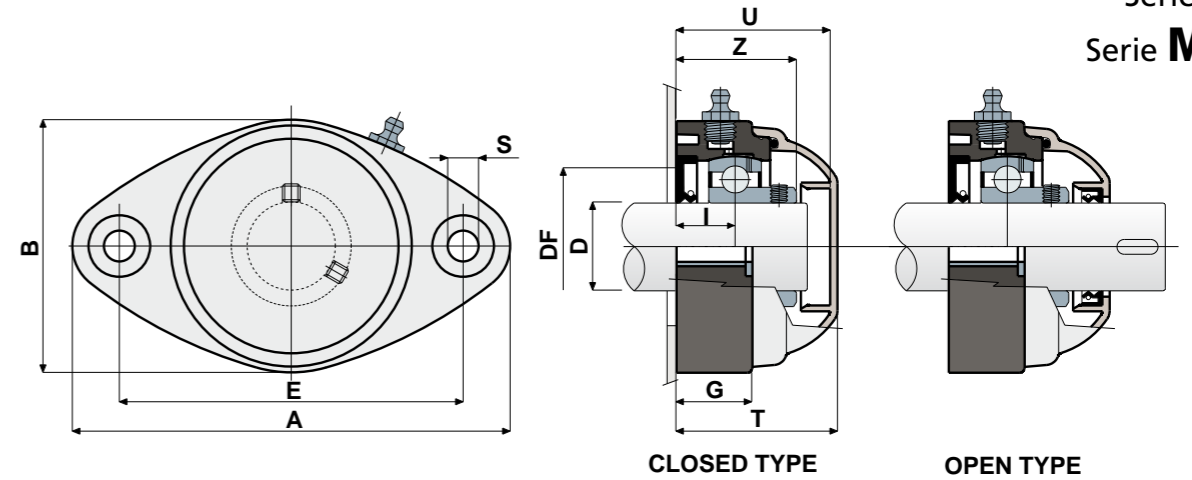
**ON REQUEST:** Versions with body in polypropylene + glass fiber and antibacterial additive; supports with eccentric collar shaft locking with chrome steel bearing; protection covers in different colours and with customized brand; box quantity according to your request; Viton gaskets.

# Oval flanged bearing supports

Technical data



Serie **UCFL/C**  
Serie **MUCFL/C**



D	SERIE	CHROME STEEL BEARING																Bearing load (N)		Bearing support load (N)			
		CODES								DIMENSIONS (mm)								C	CO				
		Standard bearing				Long Life bearing				E	A	B	S	G	I	Z	U				T	DF	
		Closed	Open	Closed	Open	Closed	Open	Closed	Open									Max	Min				
20	UCFL 204 C	80262	80263	84644	84645	83617	83616	89636	89637	90	118	64	10,5	19	15,5	33,5	44	46,5	45	40	12800	6600	8500
20	MUCFL 204 C	82858	82857	84676	84677	89628	89629	89638	89639	90	122	86	10,5	19	16	34	44	46,5	45	40	12800	6600	8500
20	MUCFL 204 C	87211	87212	87213	87214	87655	87654	89640	89641	76,5	100	70	10,5	11	15,5	33,5	44	46,5	45	40	12800	6600	8500
25	UCFL 205 C	80067	80071	84646	84647	83614	83615	85388	89642	99	131	72	10,5	22	17,4	37	47	49,5	50	45	14000	7800	10000
25	MUCFL 205 C	82860	82859	84678	84679	89630	89631	89643	89644	90	122	86	10,5	19	15,5	35	44	46,5	50	45	14000	7800	10000
30	UCFL 206 C	80068	80072	84648	84649	87209	87210	89645	89646	117	149	86	10,5	26	20	42	53	56	60	50	19500	11300	13000
30	MUCFL 206 C	82409	82408	84680	84681	88352	88661	89647	89648	90	122	86	10,5	19	13	35	52	54,5	60	50	19500	11300	13000
35	UCFL 207 C	80069	80073	84650	84651	89632	87442	89649	89650	130	163	94	10,5	26	20	45	57	59	70	55	25500	15300	14000
35	MUCFL 207 C	84014	83989	84682	84683	89633	89634	89651	89652	117	147	112	10,5	27	20	45,3	57	59,6	70	55	25500	15300	14000
40	UCFL 208 C	85217	85218	85221	85222	87394	87395	89653	89654	144	172	100	10,5	27	19,5	48,5	65,5	71	78	65	32500	19800	15000
40	MUCFL 208 C	84015	83990	84684	84685	89635	88873	89655	89656	117	147	112	10,5	27	20	48,5	65,5	68	78	65	32500	19800	15000

D	SERIE	STAINLESS STEEL BEARING AISI 440																Bearing load (N)		Bearing support load (N)			
		CODES								DIMENSIONS (mm)								C	CO				
		Standard bearing				Long Life bearing				E	A	B	S	G	I	Z	U				T	DF	
		Closed	Open	Closed	Open	Closed	Open	Closed	Open									Max	Min				
20	UCFL 204 C	81062	81063	84652	84653	85527	85528	89671	89672	90	118	64	10,5	19	15,5	33,5	44	46,5	45	40	8300	6600	8500
20	MUCFL 204 C	82870	82869	84686	84687	89657	89658	89673	89674	90	122	86	10,5	19	16	34	44	46,5	45	40	8300	6600	8500
20	MUCFL 204 C	87221	87222	87223	87224	89659	89660	89675	89676	76,5	100	70	10,5	11	15,5	33,5	44	46,5	45	40	8300	6600	8500
25	UCFL 205 C	81064	81065	84654	84655	85531	85532	89677	89678	99	131	72	10,5	22	17,4	37	47	49,5	50	45	9150	7800	10000
25	MUCFL 205 C	82868	82867	84688	84689	89661	89662	89679	89680	90	122	86	10,5	19	15,5	35	44	46,5	50	45	9150	7800	10000
30	UCFL 206 C	81066	81067	84656	84657	85525	85526	89681	89682	117	149	86	10,5	26	20	42	53	56	60	50	12500	11200	13000
30	MUCFL 206 C	82767	82766	84690	84691	89663	89664	89683	89684	90	122	86	10,5	19	13	35	52	54,5	60	50	12500	11200	13000
35	UCFL 207 C	81068	81069	84658	84659	86162	86167	89685	89686	130	163	94	10,5	26	20	45	57	59	70	55	16600	15300	14000
35	MUCFL 207 C	84017	84018	84692	84693	89665	89666	89687	89688	117	147	112	10,5	27	20	45,3	57	59,6	70	55	16600	15300	14000
40	UCFL 208 C	85219	85220	85223	85224	89667	89668	89689	89690	144	172	100	10,5	27	19,5	48,5	65,5	71	78	65	20000	19000	15000
40	MUCFL 208 C	84016	83991	84694	84695	89669	89670	89691	89692	117	147	112	10,5	27	20	48,5	65,5	68	78	65	20000	19000	15000

VERSIONS WITH MEASURES IN INCHES

D	SERIE	CHROME STEEL BEARING																Bearing load (N)		Bearing support load (N)				
		CODES								DIMENSIONS (mm)								C	CO					
		Standard bearing				Long Life bearing				E	A	B	S	G	I	Z	U				T	DF		
		Closed	Open	Closed	Open	Closed	Open	Closed	Open									Max	Min					
1"	25,4	UCFL 205 C	84506	84507	84891	84892	89474	89476	89492	89494	99	131	72	10,5	22	17,4	37	47	49,5	50	45	14000	7800	10000
1"	25,4	MUCFL 205 C	84515	84539	84979	84980	89478	89481	89693	89694	90	122	86	10,5	19	15,5	35	44	46,5	50	45	14000	7800	10000
1 1/4"	31,75	UCFL 206 C	84508	84509	84893	84894	89483	89485	89695	89696	117	149	86	10,5	26	20	42	53	56	60	50	19500	11300	13000
1 1/4"	31,75	MUCFL 206 C	84516	84540	84981	84982	89488	89490	89697	89698	90	122	86	10,5	19	13	35	52	54,5	60	50	19500	11300	13000

Inch dimensions conform to the British Imperial system